



## Introducing the Applied Comfort RS

### Features

- **Energy Efficient** - Qualified for new construction. Performance verified by 3rd party laboratory.
- **Very Quiet** - Acoustic noise cancelling materials and optimized fan designs for unmatched comfort
- **High Performance** - Superior high static pressure blower designs. Premium UL Cat 1 components for unmatched reliability and durability
- **Easy Installation** - Exact replacement, no sleeve or louver modifications - works with existing RS front panel
- **Modern Electronic Controls** - Standard Electronic Touchpad controls switchable to 24V remote wall stat and EMS connection. Basic mechanical controls also available.

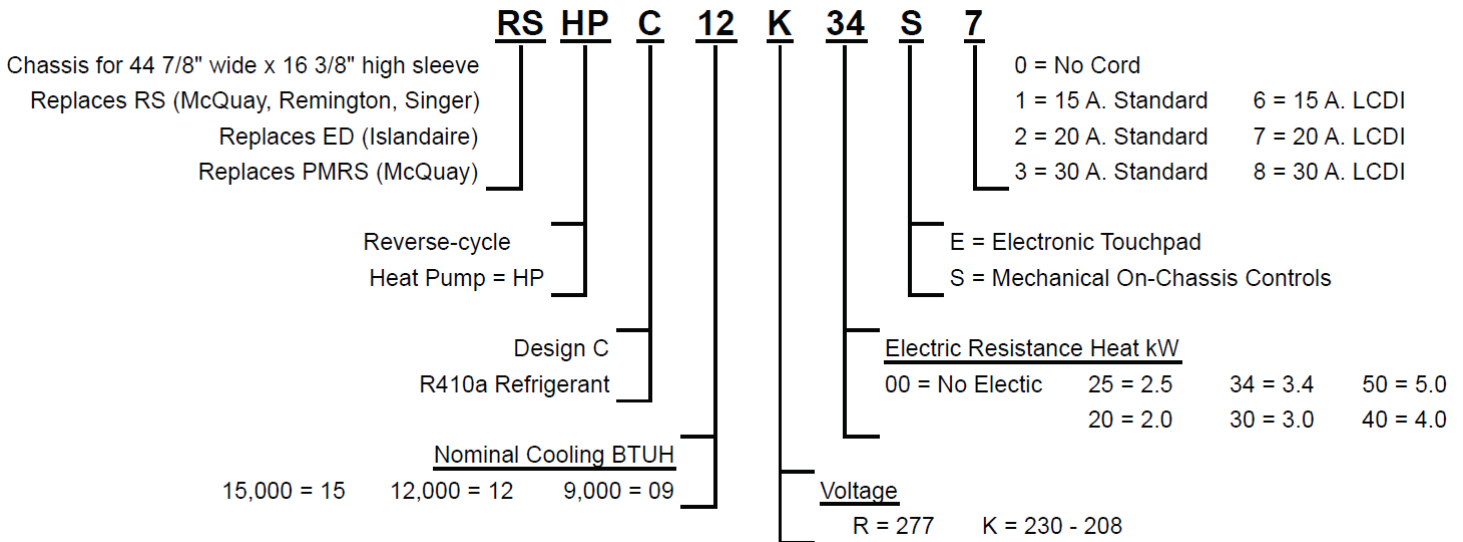
### Exact Replacement for:

- McQuay RS/MRS/PMRS
- Islandaire ED
- Retroaire RH35
- Simonaire SSEA
- Coldpoint EA
- Adirondack EA
- Most other 44+ heat pump units

Full line of accessories available for new installation or complete retrofit. Wall sleeves, louvers, sub bases, front covers, etc.

For more information, visit us at [www.airdistributors.com](http://www.airdistributors.com)





### RSHP Heat Pump with Electric Resistance Backup Heat

Model	Voltage	Hz	Cooling					Reverse-Cycle Heat		Resistance Heat			Min. Circuit Amps	MOP* Fuse Amps	Electrical Plug (NEMA)	Indoor CFM HIGH <sup>2</sup>	Indoor CFM LOW <sup>2</sup>	Vent CFM	Net Wt. lbs.	Ship Wt. lbs.
			BTU/Hr.	EER	Amps	S/T	Pts./hr.	BTU/Hr.	COP	BTU/Hr.	kW	Amps								
RSHPC09K00	230 - 208	60	9300	11.2	4.1	0.8	1.9	9700	3.3	0	0.0	0	6.2	15	#6-15P	370/350	325/300	90	136	150
RSHPC09K25	230 - 208	"	9300	11.2	4.1	0.8	1.9	9700	3.3	8900/7300	2.5/2.1	11.6/10.5	14.4	15	#6-15P	370/350	325/300	90	136	150
RSHPC09K34	230 - 208	"	9300	11.2	4.1	0.8	1.9	9700	3.3	12000/9900	4.5/4.7	15.5/14.1	19.3	20	#6-20P	370/350	325/300	90	136	150
RSHPC09K50	230 - 208	"	9300	11.2	4.1	0.8	1.9	9700	3.3	17400/14300	5/4.1	22.5/20.4	28	30	#6-30P	370/350	325/300	90	136	150
RSHPC12K00	230 - 208	"	12300	10.3	5.3	0.75	2.8	12800	3.1	0	0.0	0	8.1	15	#6-15P	370/350	325/300	90	136	150
RSHPC12K25	230 - 208	"	12300	10.3	5.3	0.75	2.8	12800	3.1	8900/7300	2.5/2.1	11.6/10.5	14.4	15	#6-15P	370/350	325/300	90	136	150
RSHPC12K34	230 - 208	"	12300	10.3	5.3	0.75	2.8	12800	3.1	12000/9900	4.5/4.7	15.5/14.1	19.3	20	#6-20P	370/350	325/300	90	136	150
RSHPC12K50	230 - 208	"	12300	10.3	5.3	0.75	2.8	12800	3.1	17400/14300	5/4.1	22.5/20.4	28	30	#6-30P	370/350	325/300	90	136	150
RSHPC15K00	230 - 208	"	14600	9.6	5.8	0.68	4.3	15200	3	0	0.0	0	8.8	15	#6-15P	370/350	325/300	90	136	150
RSHPC15K25	230 - 208	"	14600	9.6	5.8	0.68	4.3	15200	3	8900/7300	2.5/2.1	11.6/10.5	14.4	15	#6-15P	370/350	325/300	90	136	150
RSHPC15K34	230 - 208	"	14600	9.6	5.8	0.68	4.3	15200	3	12000/9900	4.5/4.7	15.5/14.1	19.3	20	#6-20P	370/350	325/300	90	136	150
RSHPC15K50	230 - 208	"	14600	9.6	5.8	0.68	4.3	15200	3	17400/14300	5/4.1	22.5/20.4	28	30	#6-30P	370/350	325/300	90	136	150
RSHPC09R00	277	"	9300	11.2	4.2	0.8	1.9	9300	3.3	0	0.0	0	5.8	15	#7-20P	380	335	90	136	150
RSHPC09R20	277	"	9300	11.2	4.2	0.8	1.9	9300	3.3	7200	2.0	8.0	9.9	15	#7-20P	380	335	90	136	150
RSHPC09R30	277	"	9300	11.2	4.2	0.8	1.9	9300	3.3	10600	3.0	11.6	14.4	15	#7-20P	380	335	90	136	150
RSHPC09R40	277	"	9300	11.2	4.2	0.8	1.9	9300	3.1	14000	4.0	15.2	19	20	#7-20P	380	335	90	136	150
RSHPC12R00	277	"	12300	10.3	5.4	0.75	2.8	12300	3.1	0	0.0	0	6.8	15	#7-20P	380	335	90	136	150
RSHPC12R20	277	"	12300	10.3	5.4	0.75	2.8	12300	3.1	7200	2.0	8.0	9.9	15	#7-20P	380	335	90	136	150
RSHPC12R30	277	"	12300	10.3	5.4	0.75	2.8	12300	3.1	10600	3.0	11.6	14.4	15	#7-20P	380	335	90	136	150
RSHPC12R40	277	"	12300	10.3	5.4	0.75	4.3	15200	3.1	14000	4.0	15.2	19	20	#7-20P	380	335	90	136	150
RSHPC15R00	277	"	14600	9.6	6.4	0.68	4.3	15200	3	0	0.0	0	8.4	15	#7-20P	380	335	90	136	150
RSHPC15R20	277	"	14600	9.6	6.4	0.68	4.3	15200	3	7200	2.0	8.0	9.9	15	#7-20P	380	335	90	136	150
RSHPC15R30	277	"	14600	9.6	6.4	0.68	4.3	15200	3	10600	3.0	11.6	14.4	15	#7-20P	380	335	90	136	150
RSHPC15R40	277	"	14600	9.6	6.4	0.68	4.3	15200	3	14000	4.0	15.2	19	20	#7-20P	380	335	90	136	150

\*Time Delay Fuse or HCAR Circuit Breaker ---- \*Dry Coil ---- 277v models are permanently connected using 20amp non-LCDI cords.

### Air Distributors Company, Inc,

13005 Middletown Industrial Blvd

Suite L

Louisville, KY 40223

800-866-1210

www.airdistributors.com

